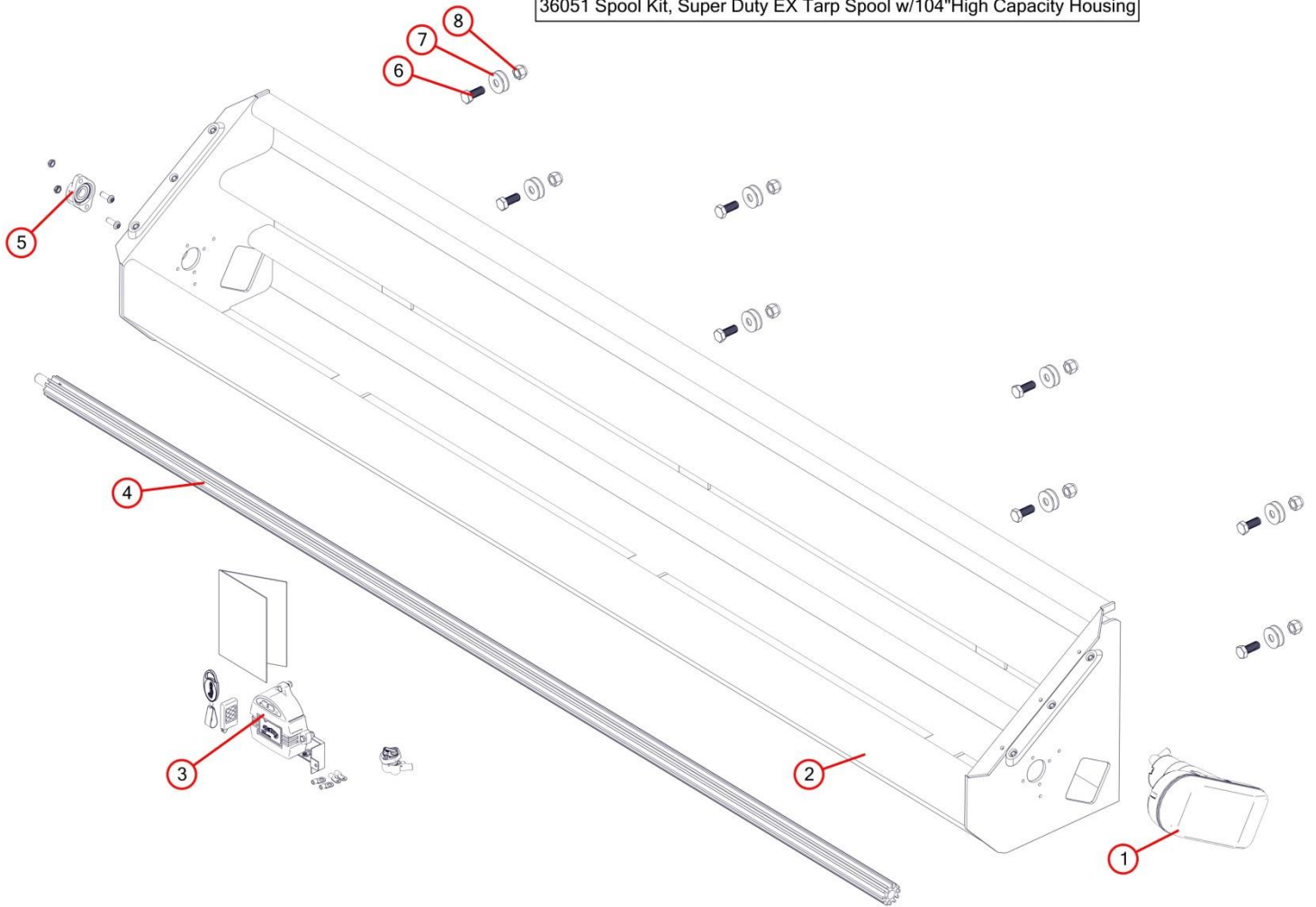


SDX1500 Tarp System, Super Duty EX, High Cap Housing, 16 Spring Pivot

Bom ID	Part#	Description	qty
Ref	SDX1500	Tarp System, Super Duty EX, High Cap Housing, 16 Spring Pivot	1
1	36051	Spool Kit, Super Duty EX Tarp Spool w/104" High Capacity Housing - (No 6ga Wire) S/N: SDX	1
2	76660	Bow Set, Wide 110" Rear Bar & 2 each 98" Bow Arms - Roll-Offs	1
3	47606	Pivot Set, Under Body 16 Spring (B1-102121&B2-102115)	1

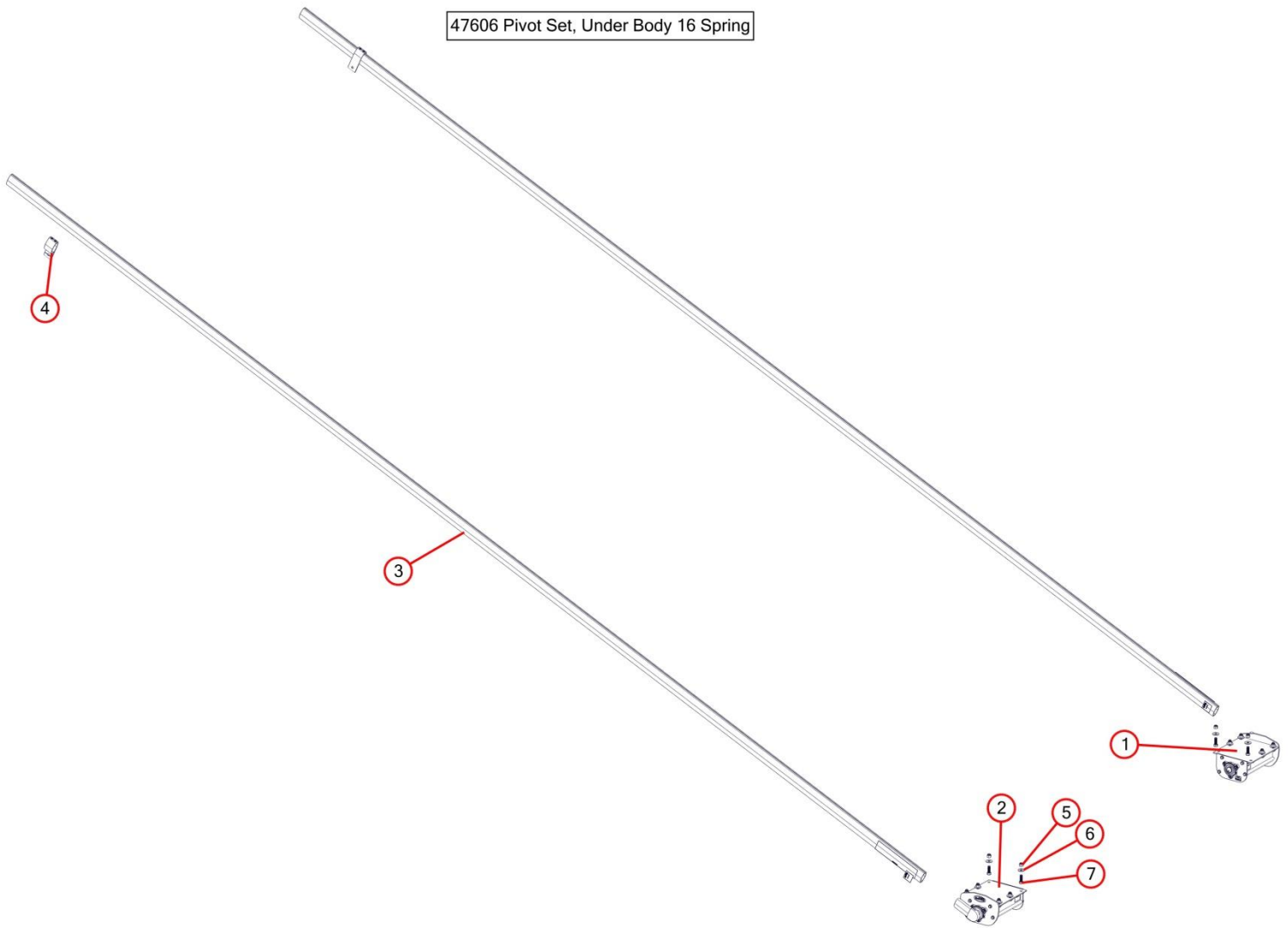
36051 Spool Kit, Super Duty EX Tarp Spool w/104"High Capacity Housing



Bom ID	Part#	Description	qty
Ref	36051	Spool Kit, Super Duty EX Tarp Spool w/104"High Capacity Housing - (No 6ga Wire) S/N: SDX	1
1	10151	Gear Motor, Super Duty w/5 Year Warranty 24V - SN: SD	1
2	36172	Housing, 104" High Capacity Tarp Spool Housing	1
3	102615	Electric Kit, Rite Touch With 6 gauge with TSCM and RF 24 volt	1
4	31040	Axle, 103" Pre Thrd AL Tarp Axle w/Stub Shaft	1
5	31050	Bearing, 3/4" Flanged Axle Bearing with bolts/nuts	1
6	18710	Bolt, 5/8" x 1 1/2" Bolt Zinc	8
7	18414	Washer, 5/8" Flat Zinc	16
8	18635	Nut, 5/8" Nylock Nut	8

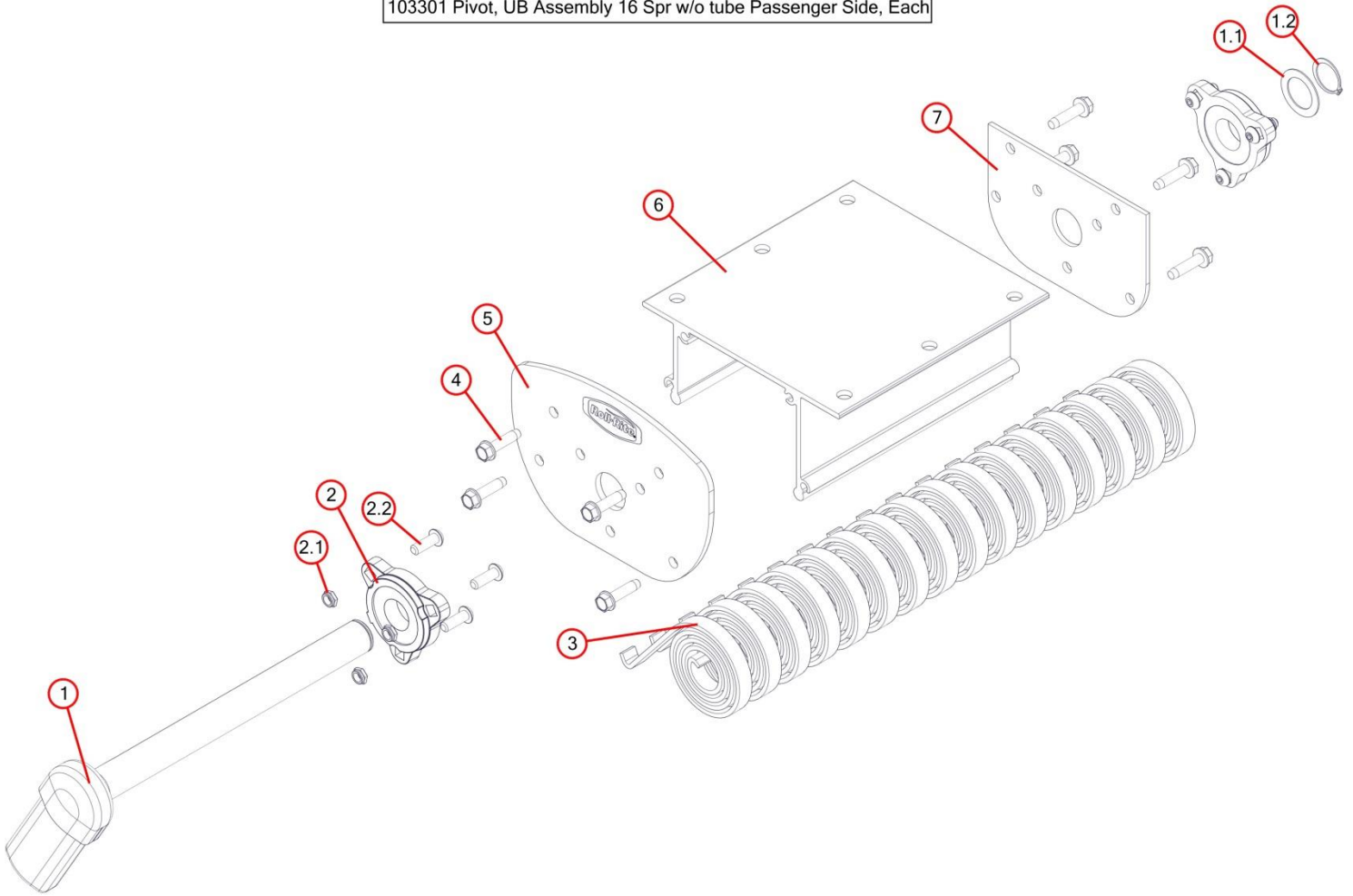


Bom ID	Part#	Description	qty
Ref	76660	Bow Set, Wide 110" Rear Bar & 2 each 98" Bow Arms - Roll-Offs	1
1	76760	Bow Tube, 98" Al Side Arm W. 90° Corner	2
2	76810	Flange, Tarp Flange -pair-	2
3	76860	Bow Tube, Top Tube for Roll-Off Tarp Bow 110" -Each-	1



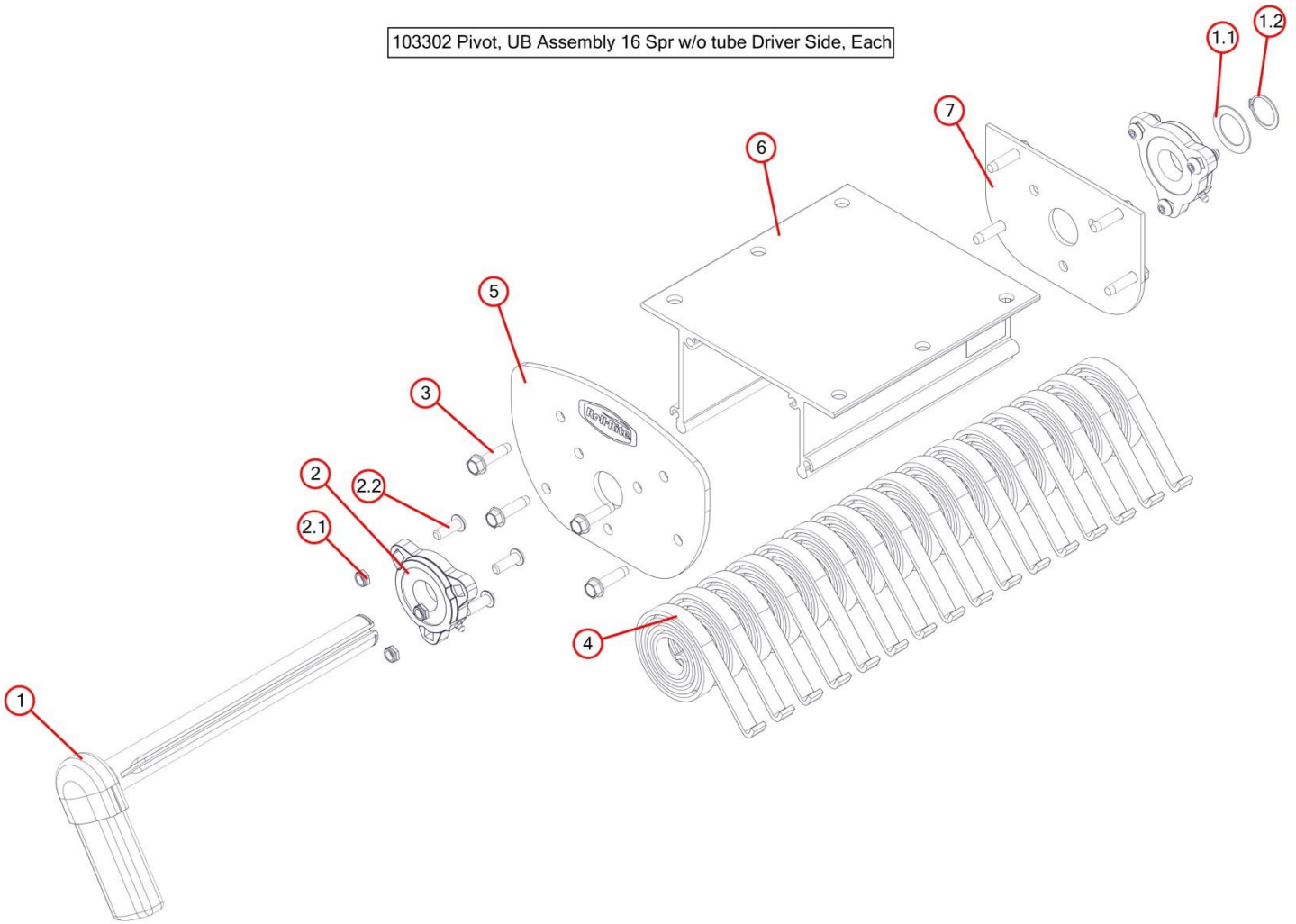
Bom ID	Part#	Description	qty
Ref	47606	Pivot Set, Under Body 16 Spring (B1-102121&B2-102115)	1
1	103301	Pivot, UB Assembly 16 Spr w/o tube Passenger Side, Each	1
2	103302	Pivot, UB Assembly 16 Spr w/o tube Driver Side, Each	1
3	46262	Pivot Tube, 22ft w/ Set Screws	2
4	76831	Bracket, Pivot Arm Tie Down	2
5	18631	Nut, 1/2" Nylock Nut	12
6	18412	Washer, 1/2" Flat Zinc	24
7	18296	Bolt, 1/2" x 1 1/2" Hex Head Bolt	12

103301 Pivot, UB Assembly 16 Spr w/o tube Passenger Side, Each



Bom ID	Part#	Description	QTY
Ref	103301	Pivot, UB Assembly 16 Spr w/o tube Passenger Side, Each	1
1	102117	Pivot Pin, Raw 16-Spring Roller Bearing Pivot-Pass (no snap ring)	1
1.1	47010	Bushing, Pivot 1 1/4 Machinery Bushing for Pivot Pin	1
1.2	47000	Snap Ring, 1 1/4" External for Pivot Pin	1
2	47800	Bearing, Carrier Underbody Flanged	2
2.1	18628	Nut, Nylock nut 3/8" Jamb Nut	3
2.2	18242	Bolt, 3/8"-16 x 1 1/8" Button Head	3
3	47230	Spring, Spiral Torsion Spring 1 1/4	16
4	18120	Bolt, 3/8" x 1-1/2" Thread Cutting Screw Hex Washer Hd	8
5	102349	Plate, Al Front for Ext Bolt Flange Mount UB Box	1
6	102249	Extrusion, UB Pivot Box Extrusion 72"	1
7	102259	Plate, Al Back for Ext Bolt Flange Mount UB Box	1

103302 Pivot, UB Assembly 16 Spr w/o tube Driver Side, Each



Bom ID	Part#	Description	QTY
Ref	103302	Pivot, UB Assembly 16 Spr w/o tube Driver Side, Each	1
1	102116	Pivot Pin, Raw 16-Spring Roller Bearing Pivot-DRV (No Snap Ring)	1
1.1	47010	Bushing, Pivot 1 1/4 Machinery Bushing for Pivot Pin	1
1.2	47000	Snap Ring, 1 1/4" External for Pivot Pin	1
2	47800	Bearing, Carrier Underbody Flanged	2
2.1	18628	Nut, Nylock nut 3/8" Jamb Nut	3
2.2	18242	Bolt, 3/8"-16 x 1 1/8" Button Head	3
3	47230	Spring, Spiral Torsion Spring 1 1/4	16
4	18120	Bolt, 3/8" x 1-1/2" Thread Cutting Screw Hex Washer Hd	8
5	102349	Plate, Al Front for Ext Bolt Flange Mount UB Box	1
6	102249	Extrusion, UB Pivot Box Extrusion 72"	1
7	102259	Plate, Al Back for Ext Bolt Flange Mount UB Box	1