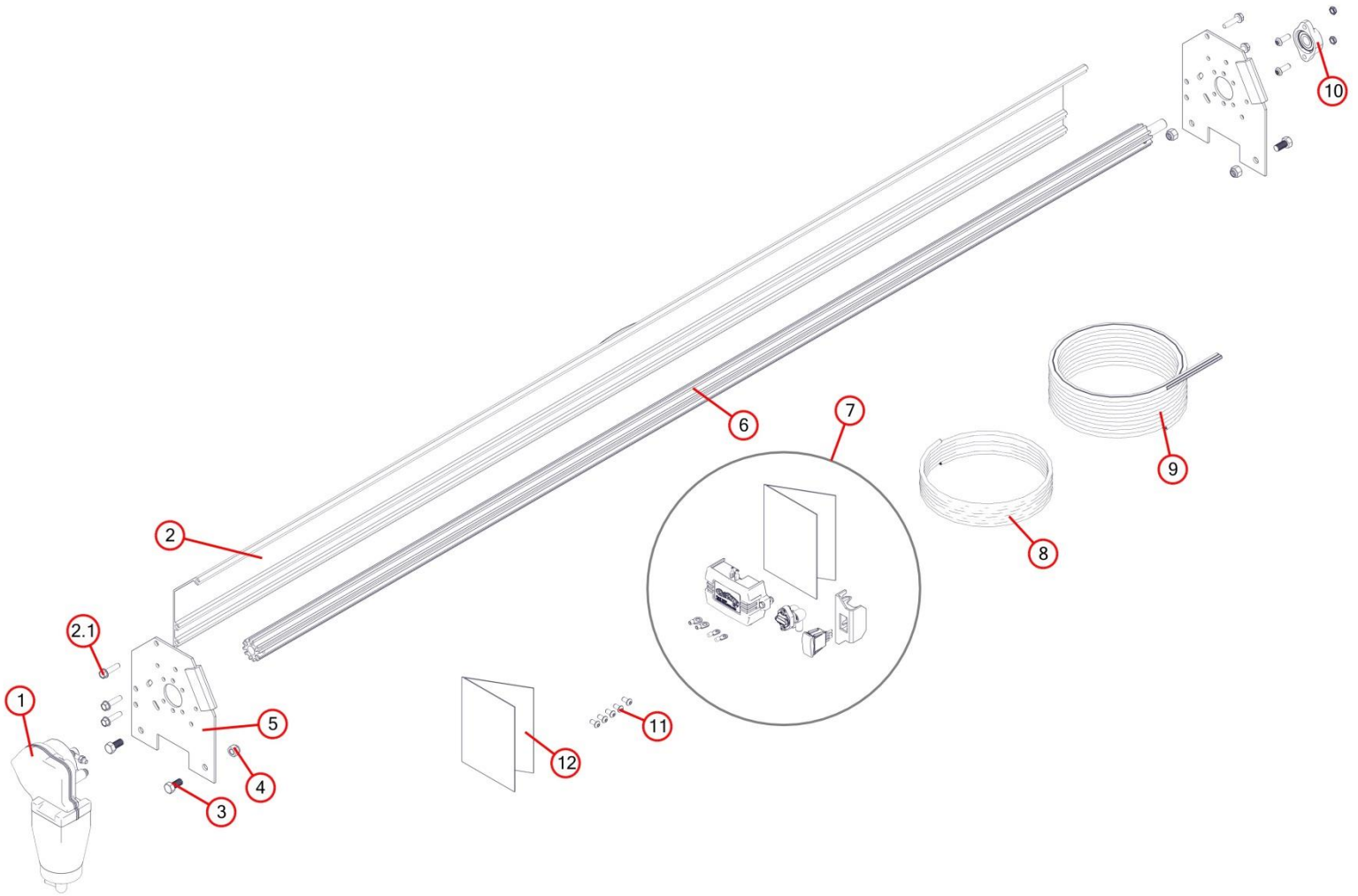
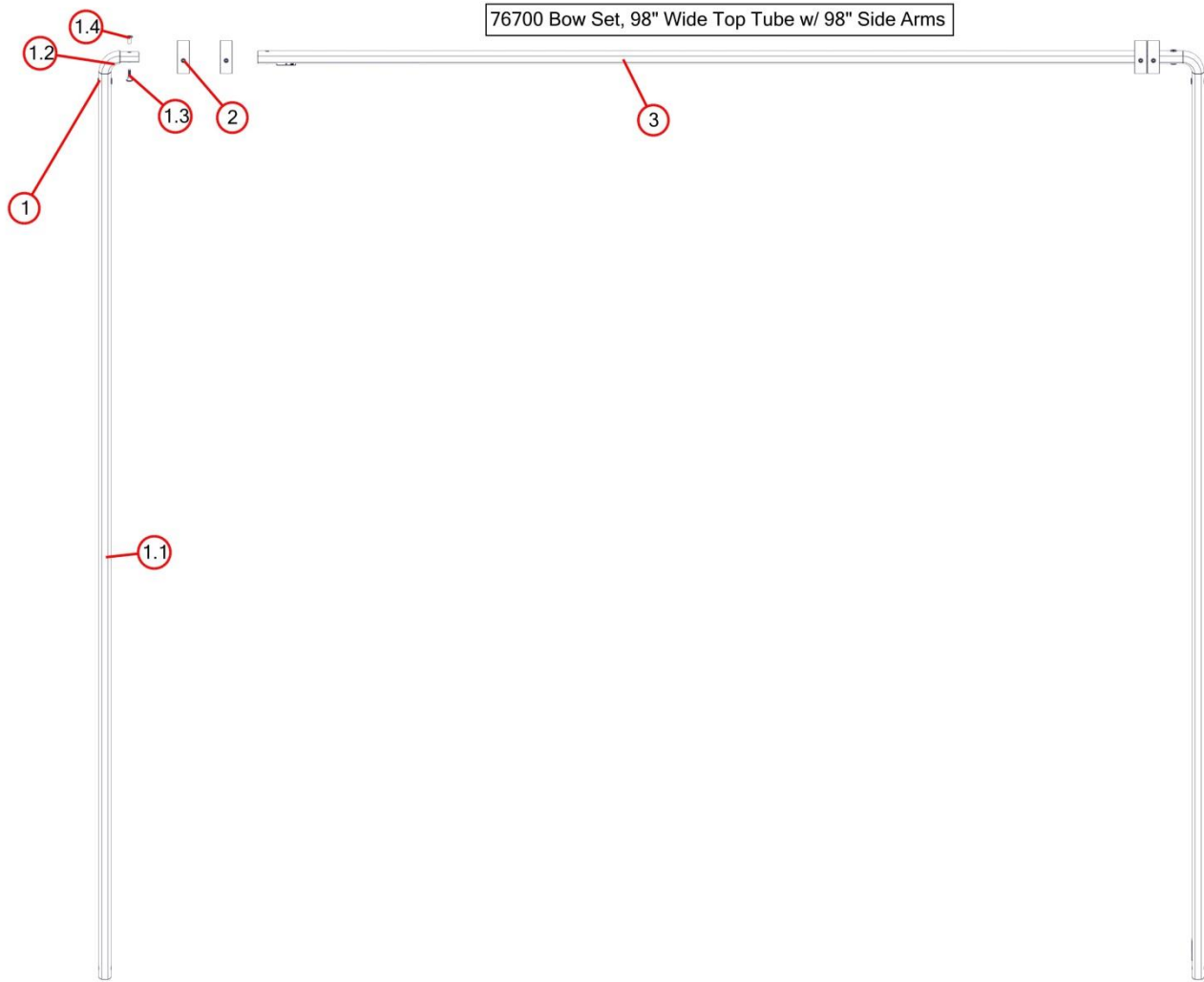


Ref	TMX600	Tarp System, Tarp Master 400 w/Wind Deflector, 60" 4 Spring External Pivot - S/N: TM	1
1	36460	Spool Kit, Tarp Master Tarp Spool w/97" Wind Deflector & Mounting Brackets - S/N: TM	1
2	76700	Bow Set, 98" Wide Top Tube w/ 98" Side Arms	1
3	46440-60	Pivot Set, 4 Spring w/ 60" Aluminum Pivot Tube	1

36460 Spool Kit, TarpMaster Tarp Spool w/97" Wind Deflector & Mounting Brackets

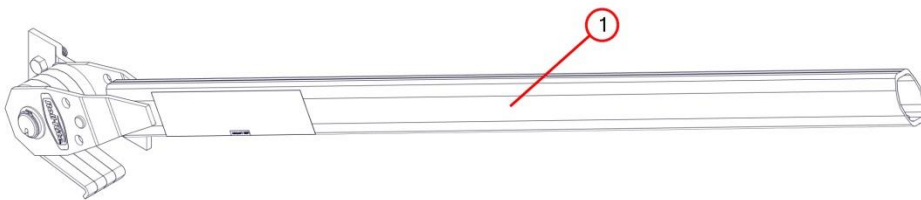
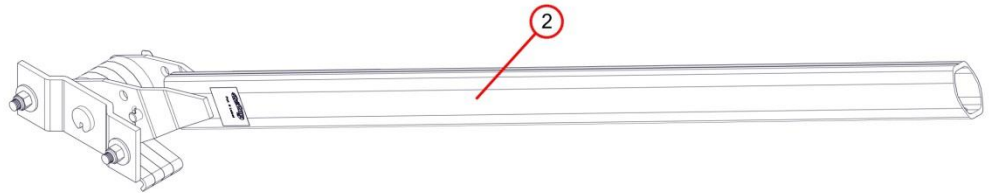


Bom ID	Part#	Description	qty
1	10300	Gear Motor, TarpMaster w/3 Year Warranty 24v - S/N: TM	1
2	36360	Wind Deflector, 97" Tall	1
2.1	18120	Bolt, 3/8" x 1-1/2" Thread Cutting Screw Hex Washer Hd	6
3	18294	Bolt, 1/2" x 1" Hex Head Bolt	4
4	18631	Nut, 1/2" Nylock Nut	4
5	36340	Bracket, Aluminum Mounting Brackets - PAIR	2
6	31030	Axle, 97" Pre Threaded AL Tarp Axle w/Stub Shaft	1
7	100649	Electric Kit, With 10699 Relay and Rocker Switch for 8 ga wire w/35 amp breaker	1
8	11411	Wire, 16/3-Conductor -15ft	1
9	100743	Wire, 8 ga. Dual Conductor(55')	1
10	31050	Bearing, 3/4" Flanged Axle Bearing with bolts/nuts	1
11	18260	Bolt, 5/16" x 5/8" Button Head Bolt-Zinc Plated	5
12	101501	Instructions, Front to Back Installation	1



Bom ID	Part#	Description	qty
1	76760	Bow Tube, 98" Al Side Arm W. 90° Corner	2
1.1	76770	Bow Tube, AL Top Tube for Tarp Bow 98"	1
1.2	76800	Casting, Aluminum Corner - 90 Degree	1
1.3	18718	Bolt, 1/4-20 x 1 3/16 Golt Clear Zinc - Post bolt for 90 degree corners	2
1.4	18719	Nut, 1/4-20 Cap Conn Nut Clear Zinc - Post bolt for 90 degree corners	2
2	76810	Flange, Tarp Flange -pair-	2
3	76770	Bow Tube, AL Top Tube for Tarp Bow 98"	1

46440-60 Pivot Set, 4 Spring w/ 60" Aluminum Pivot Tube



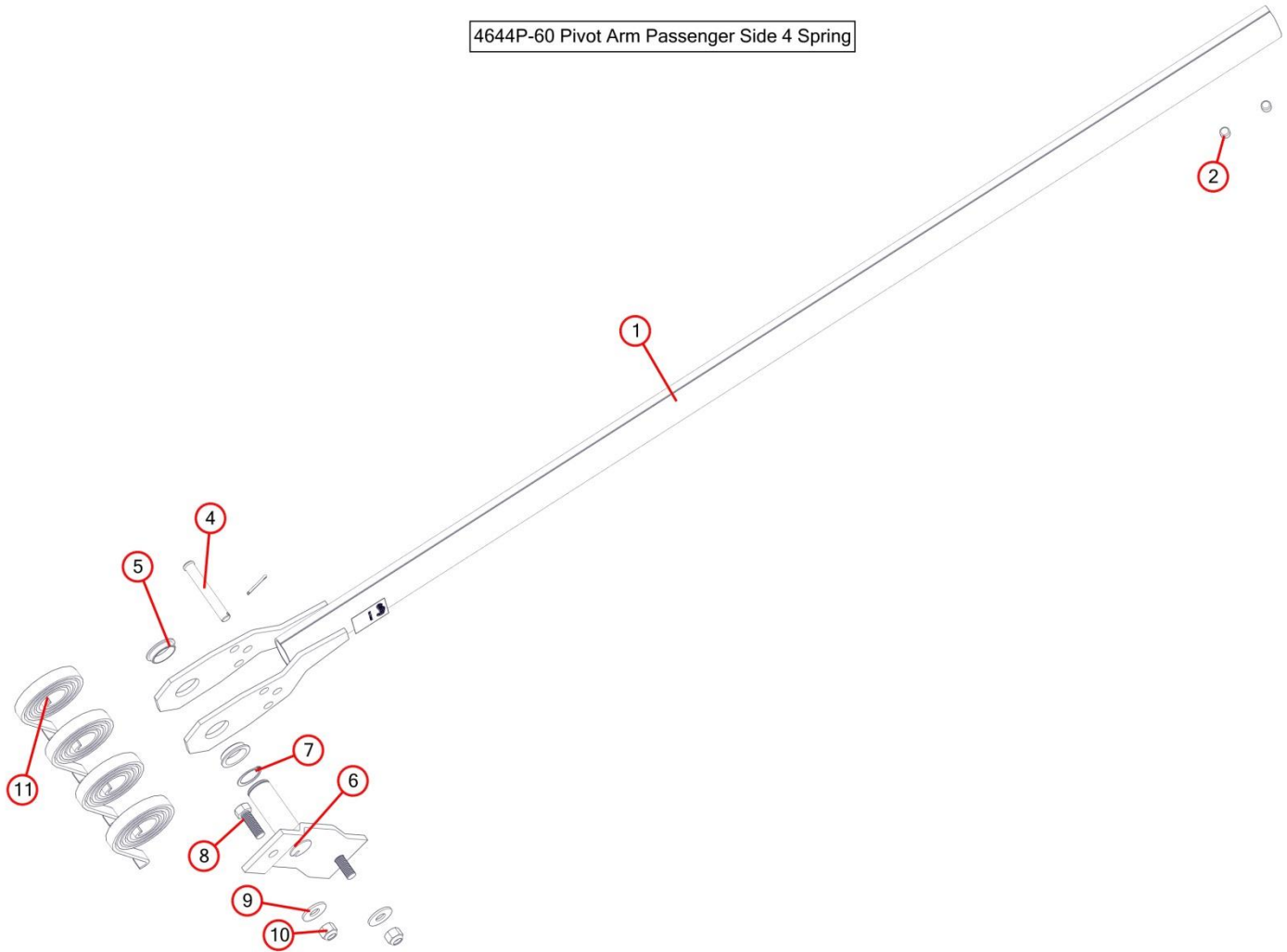
Bom ID	Part#	Description	qty
Ref	46440-60	Pivot Set, 4 Spring w/ 60" Aluminum Pivot Tube	1
1	4644D-60	Pivot, Drv-4 Spring Torsion AL - 60" Pivot Arm	1
2	4644P-60	Pivot, Pass-4 Spring Torsion AL - 60" Pivot Tube	1

4644D-60 Pivot Arm Driver Side 4 Spring



Bom ID	Part#	Description	qty
Ref	4644D-60	Pivot, Drv-4 Spring Torsion AL - 60" Pivot Arm	1
1	46140-60	Pivot Tube, AL 4 Spring Arm Only 60"	1
1.1	18293	Screw, 1/2" x 3/8" Set Screw	2
1.2	18520	Pin, 1/2" x 3-1/2" Clevis	1
1.3	47040	Bushing, 1 1/4 Poly T- Bushing for Pivot Pin	2
2	47230	Spring, Spiral Torsion Spring 1 1/4	4
3	45340	Pivot Pin, 4-Spring with 47000 snap ring	1
3.1	47000	Snap Ring, 1 1/4" External for Pivot Pin	1
4	18296	Bolt, 1/2" x 1 1/2" Hex Head Bolt	2
5	18412	Washer, 1/2" Flat Zinc	2
6	18631	Nut, 1/2" Nylock Nut	2

4644P-60 Pivot Arm Passenger Side 4 Spring



Bom ID	Part#	Description	qty
Ref	4644P-60	Pivot, Pass-4 Spring Torsion AL - 60" Pivot Tube	1
1	46140-60	Pivot Tube, AL 4 Spring Arm Only 60"	1
1.1	18293	Screw, 1/2" x 3/8" Set Screw	2
1.2	18520	Pin, 1/2" x 3-1/2" Clevis	1
1.3	47040	Bushing, 1 1/4 Poly T- Bushing for Pivot Pin	2
2	47230	Spring, Spiral Torsion Spring 1 1/4	4
3	45340	Pivot Pin, 4-Spring with 47000 snap ring	1
3.1	47000	Snap Ring, 1 1/4" External for Pivot Pin	1
4	18296	Bolt, 1/2" x 1 1/2" Hex Head Bolt	2
5	18412	Washer, 1/2" Flat Zinc	2
6	18631	Nut, 1/2" Nylock Nut	2