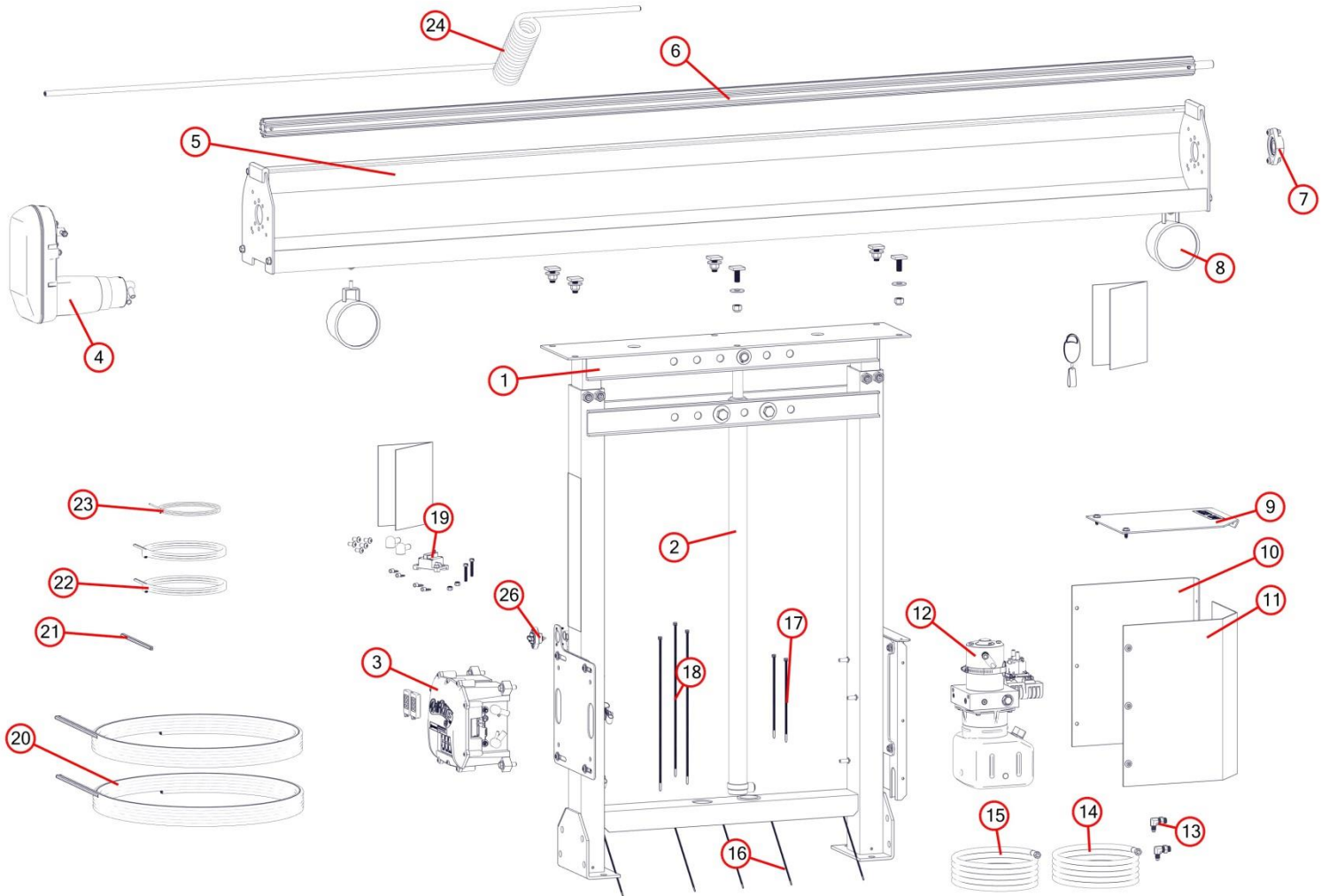


Bom ID	Part#	Description	qty
Ref	DCX250	Tarp System, 6 Spring Top Mount Stationary Pivot & Adjustable Tower	1
1	101531	Tower, AdjustableTower SD w/Single Valve Pump & Control Box Plumbed & Wired	1
2	76720	Bow Set, 103 1/2" Wide Top Tube w/ 98" Bow Arms	1
3	46590	Pivot Set, Top Mount 6 Spring Pivot w/120" Tubes (B1-46591/B2-46592)	1
		Optional: Mounting Brackets	
4	39002	Bracket, Side Frame Style Tower Mounting Bracket - Set	1
5	39001	Bracket, U-bolt Style Tower Mounting Bracket - Set	1

DCX250 Tarp System, 6 Spring Top Mount Stationary Pivot & Adjustable Tower

101531 Tower, Adjustable Tower SD w/Single Valve Pump & Control Box Plumbed & Wired

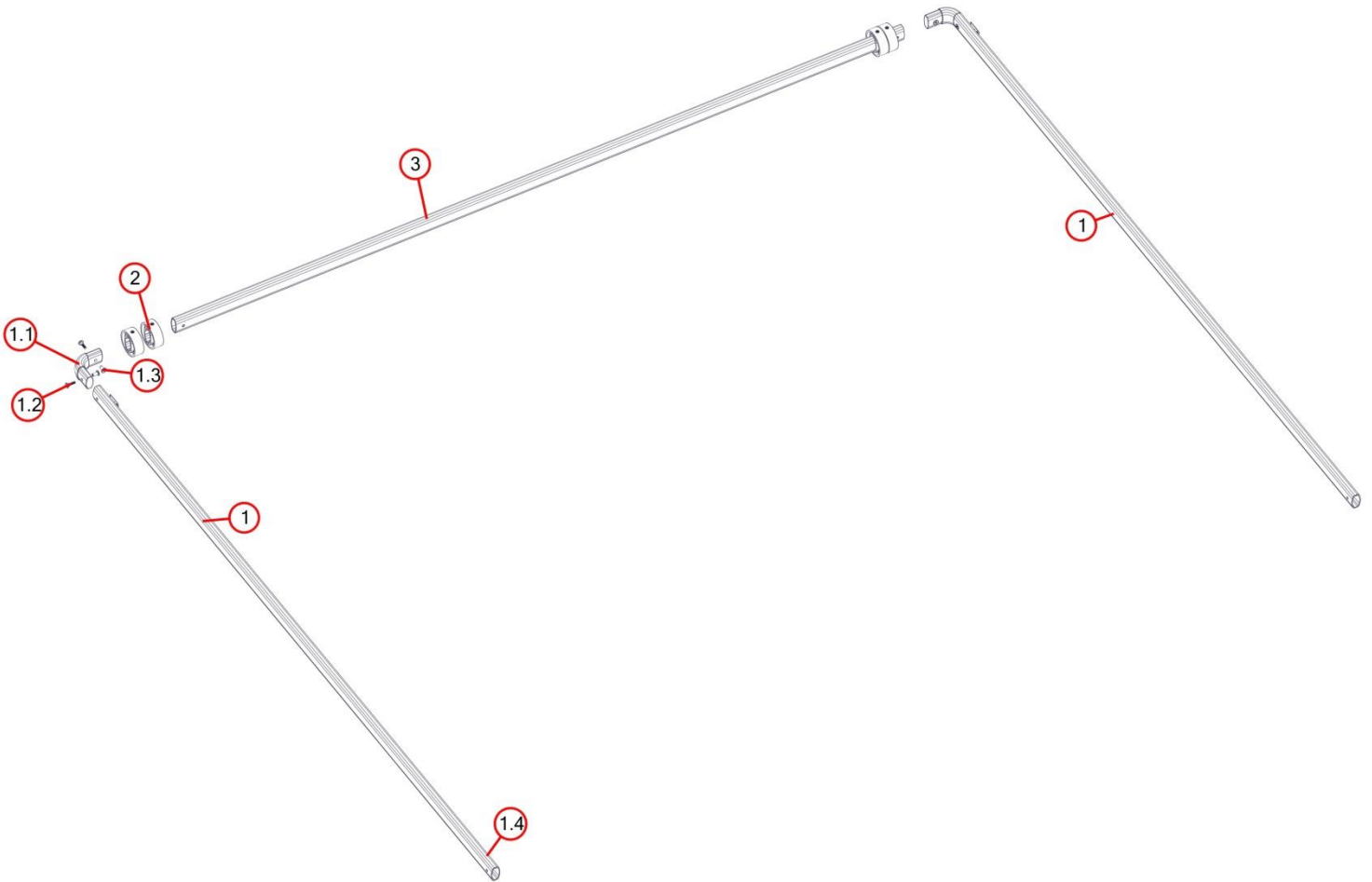




DCX250 Tarp System, 6 Spring Top Mount Stationary Pivot & Adjustable Tower

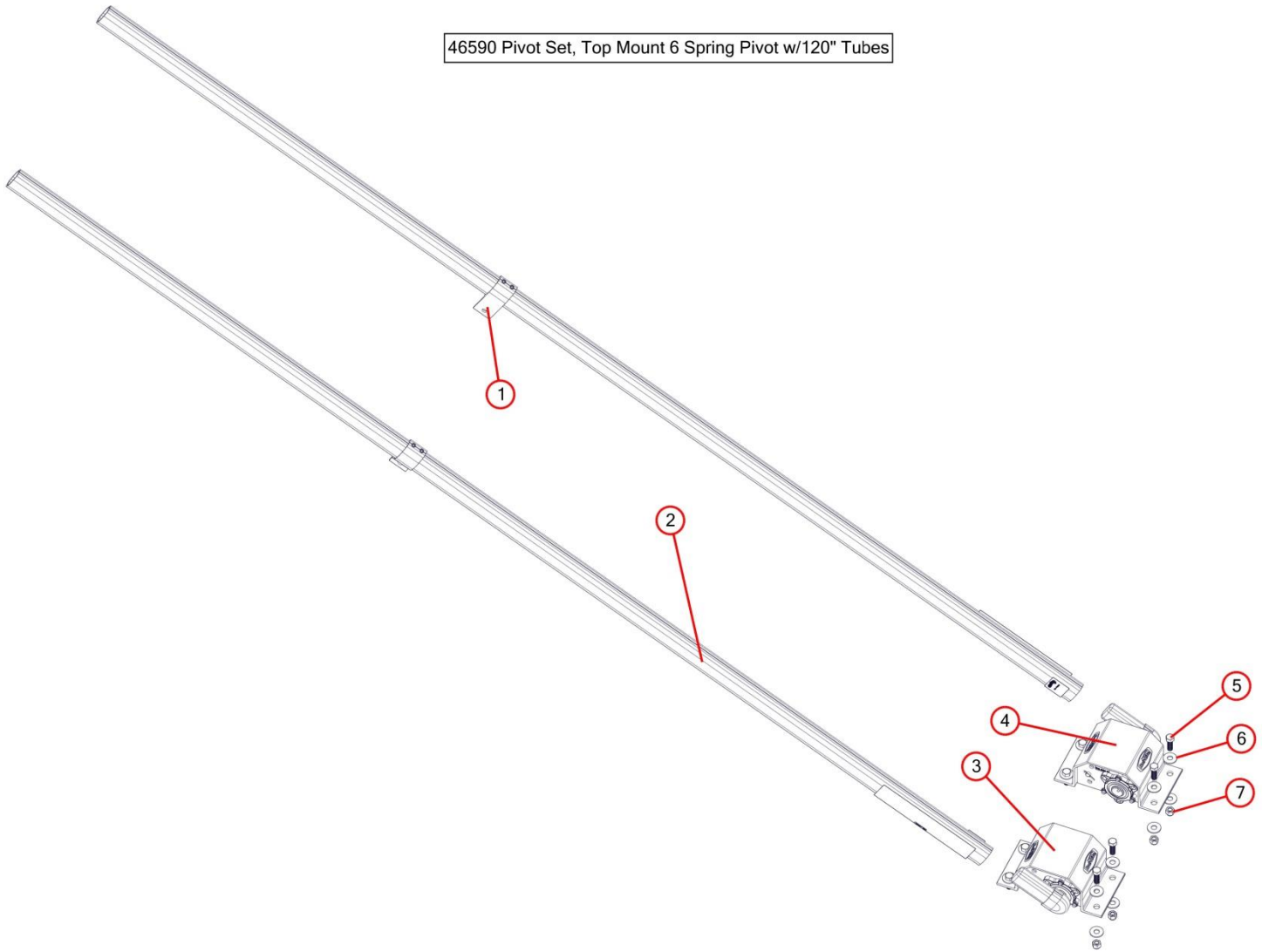
Bom ID	Part#	Description	qty
Ref	101531	Tower, Adjustable Tower SD w/Single Valve Pump & Control Box Plumbed & Wired	1
1	39004	Tower, Stationary Steel Tower - Integrated Housing	1
2	39520	Cylinder, 1.5" Bore x 36" Stroke DA, Single Flange Mount	1
3	19865	Control Box, Wireless Black Cntrl Box -12V Waste	1
4	10151	Gear Motor, Super Duty w/5 Year Warranty 24V - SN: SD	1
5	36164	Housing, Spool 98" Aluminum Integrated Housing	1
6	31030	Axle, 97" Pre Threaded AL Tarp Axle w/Stub Shaft	6
7	31050	Bearing, 3/4" Flanged Axle Bearing with bolts/nuts	2
8	19470	Light, Work Light 12V	2
9	10778	Top cover for external leg pump mount	6
10	10794	Bracket, Pump Mount Cover Steel 1/8x16x13 7/8"	6
11	39615	Pump Cover, Black Housing for Hydraulic Pump on Vert Mount Towers NEW	6
12	39612	Pump Assembly, 12V Hydraulic Pump w/Manifold & 1 Valve & Compact Tank	1
13	39299	Adapter, Str #4 Male Tube to #6 Male Oring (speed block to hose)	1
14	100864	Hose, 79" Replacement Hyd. Hose	2
15	101319	Hose, 40" Replacement Hyd. Hose	2
16	1132	Zip Tie, Button Head 21087	2
17	1130	Zip Tie, 8" Ty Rap	1
18	1131	Zip Tie, 15" Ty Rap	1
19	17915	Breaker, 100 amp Manual Reset Breaker Only 24V & 12V Integrated	1
20	11330	Wire, 6 ga. Dual Conductor -ft-	1
21	100740	Wire, 8 Ga. Dual Conductor (foot)	2
22	11345	Wire, 16 ga. 2-Conductor -per ft-	1
23	11347	Wire, 16 ga. Single-Conductor (per foot)	1
24	11325	Wire, Tower Coil Cord Std 75" - 2-8ga & 2-16 ga with 12 & 48" leads	5

76720 Bow Set, 103 1/2" Wide Top Tube w/ 98" Bow Arms



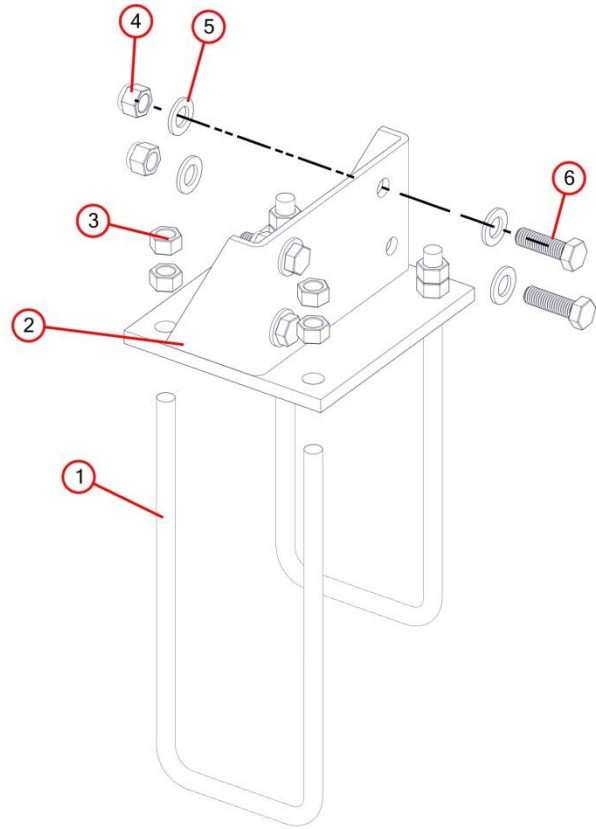
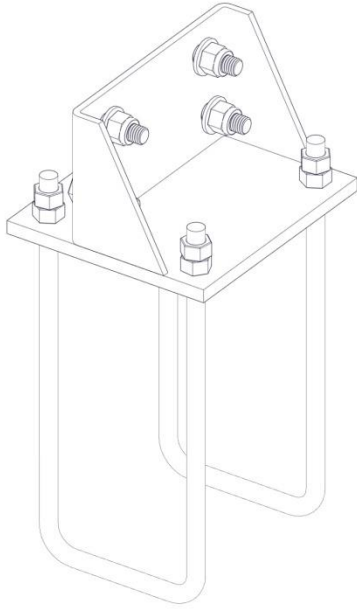
Bom ID	Part#	Description	
Ref	76720	Bow Set, 103 1/2" Wide Top Tube w/ 98" Bow Arms	qty
1	76760	Bow Tube, 98" Al Side Arm W. 90° Corner	2
1.1	76800	Casting, Aluminum Corner - 90 Degree	2
1.2	18718	Bolt, 1/4-20 x 1 3/16 Golt Clear Zinc - Post bolt for 90 degree corners	2
1.3	18719	Nut, 1/4-20 Cap Conn Nut Clear Zinc - Post bolt for 90 degree corners	4
1.4	76770	Bow Tube, AL Top Tube for Tarp Bow 98"	4
2	76810	Flange, Tarp Flange -pair-	2
3	76870	Bow Tube, AL Wide Top Tube for Tarp Bow - 103 1/2"	1

46590 Pivot Set, Top Mount 6 Spring Pivot w/120" Tubes



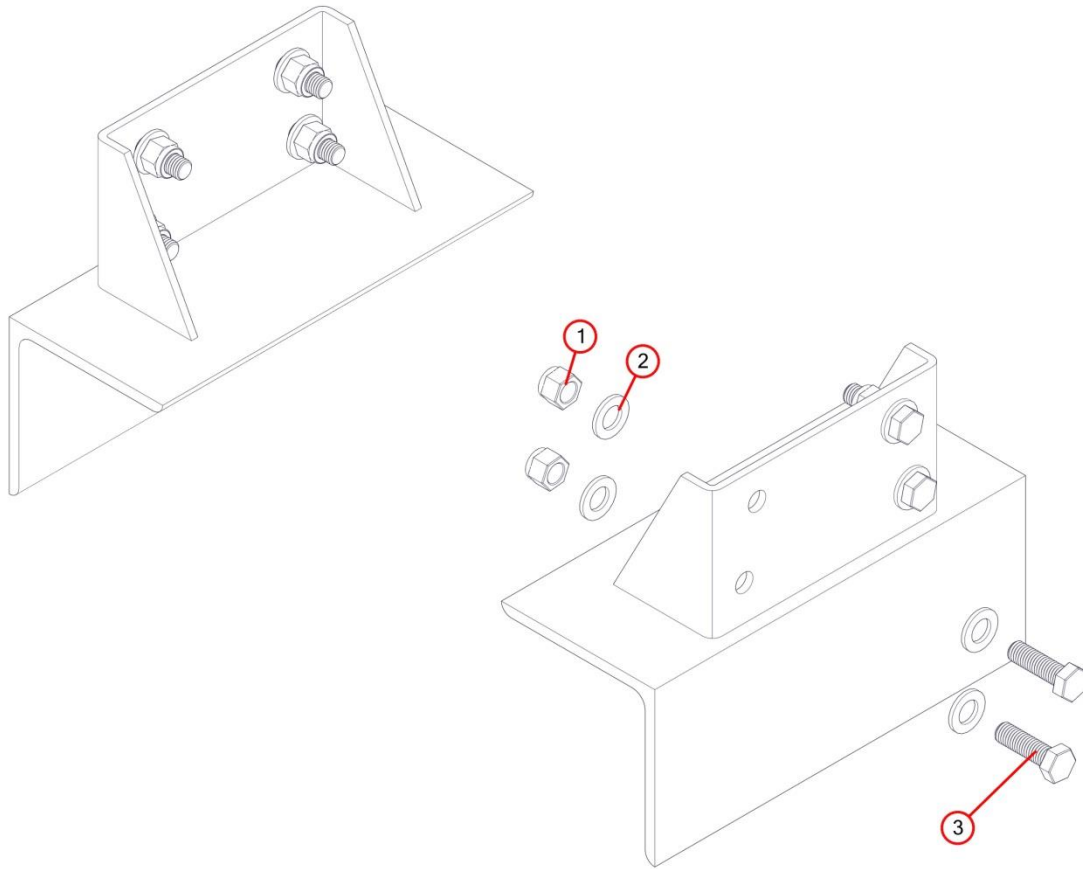
Bom ID	Part#	Description	qty
Ref	46590	Pivot Set, Top Mount 6 Spring Pivot w/120" Tubes (B1-46591/B2-46592)	1
1	76831	Bracket, Pivot Arm Tie Down	2
2	46220	Pivot Tube, 120" w/set screws for Roller Bearing -Each-	2
3	46470	Pivot, Assembly. 6-spr Top Mnt Pvt w/o tube-Driver	1
4	46480	Pivot, Assembly. 6-spr Top mnt pvt w/o Tube-Pass	1
5	18296	Bolt, 1/2" x 1 1/2" Hex Head Bolt	8
6	18412	Washer, 1/2" Flat Zinc	16
7	18631	Nut, 1/2" Nylock Nut	8

39001 Bracket, U-bolt Style Tower Mounting Bracket - Set

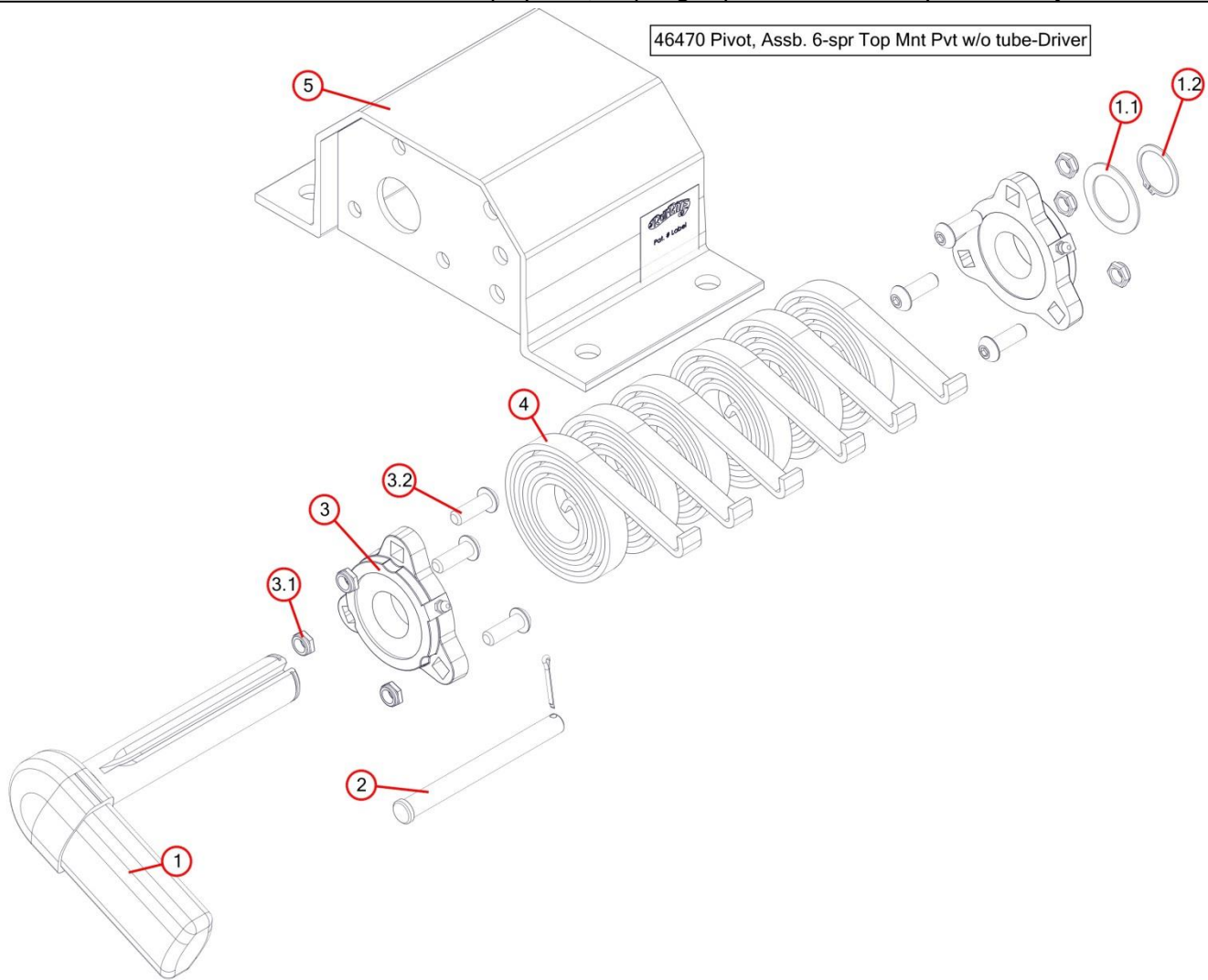


Bom ID	Part#	Description	Optional:	qty
Ref	39001	Bracket, U-bolt Style Tower Mounting Bracket – Set		1
1	18714	Bolt, 5/8" x 14" U Bolt w/ 3 1/2" bottoms-Grd8 Fine Thread		1
2	100397	Bracket, U-bolt style tower mounting bracket (welded Pad and Gusset)		1
3	18305	Nut, 5/8" - 18 HEX G5 ZINC - For U Bolts		1
4	18587	Nut, 5/8" -10 Grade 8 Yellow Zinc Nylon Insert Lock Nut		2
5	18417	Washer, 5/8" Lock SAE		1
6	18738	Bolt, 5/8"-11 x 2 Hex Head Grade 8 Yellow Zinc		1

39002 Tower mounting bracket



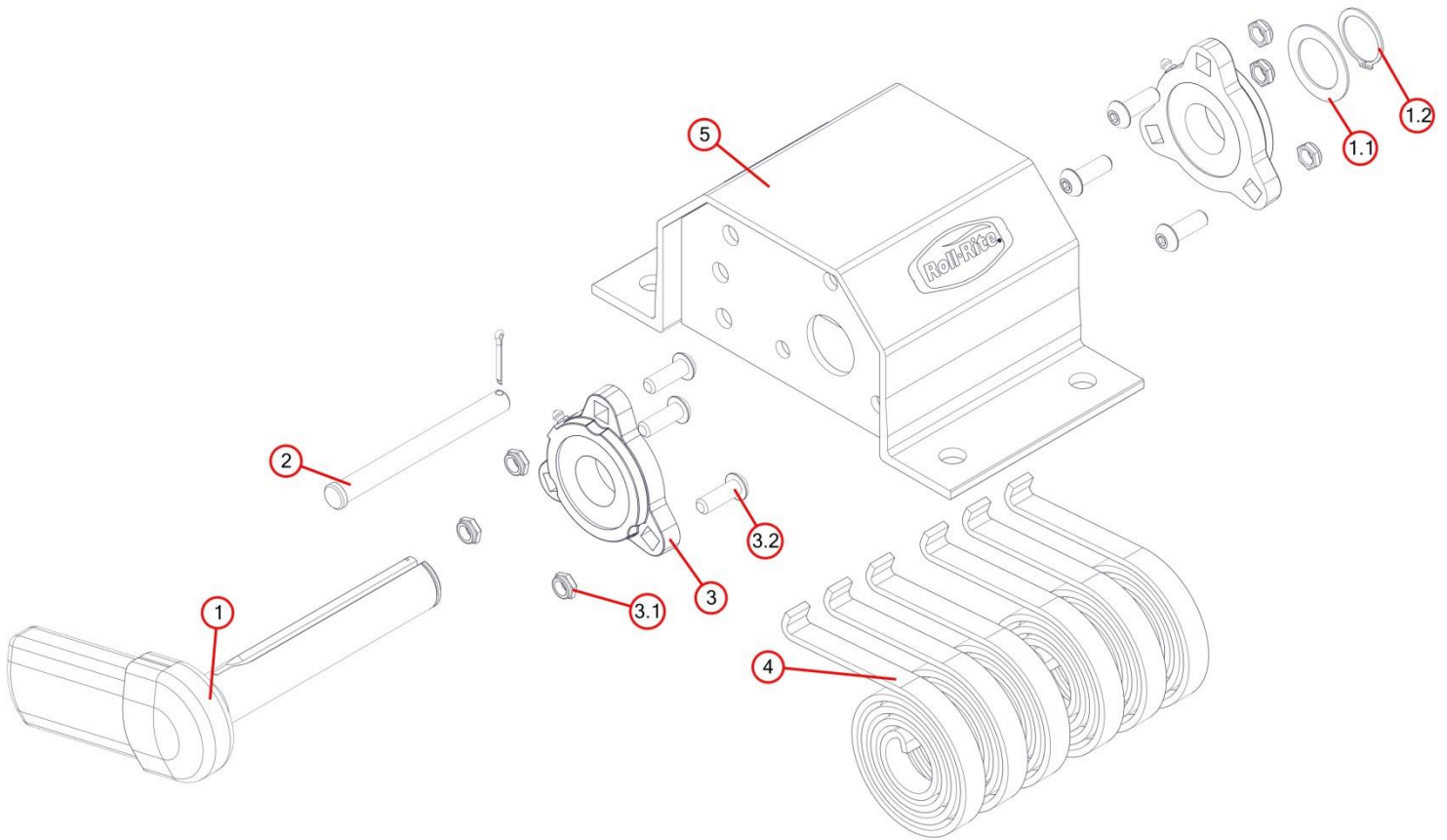
Bom ID	Part#	Description Optional:	qty
Ref	39002	Bracket, Side Frame Style Tower Mounting Bracket - Set	1
1	18587	Nut, 5/8" -10 Grade 8 Yellow Zinc Nylon Insert Lock Nut	8
2	18417	Washer, 5/8" Lock SAE	16
3	18738	Bolt, 5/8"-11 x 2 Hex Head Grade 8 Yellow Zinc	8



46470 Pivot, Assb. 6-spr Top Mnt Pvt w/o tube-Driver

Bom ID	Part#	Description	qty
Ref	46470	Pivot, Assembly. 6-spr Top Mnt Pvt w/o tube-Driver	1
1	46360	Pivot Pin, for 5 & 6-Spring Roller Bearing - DRV	1
1.1	47010	Bushing, Pivot 1 1/4 Machinery Bushing for Pivot Pin	1
1.2	47000	Snap Ring, 1 1/4" External for Pivot Pin	1
2	18540	Pin, 1/2" x 5-1/4" Clevis	1
3	47800	Bearing, Carrier Underbody Flanged	2
3.1	18628	Nut, Nylock nut 3/8" Jamb Nut	3
3.2	18242	Bolt, 3/8"-16 x 1 1/8" Button Head	3
4	47230	Spring, Spiral Torsion Spring 1 1/4	6
5	46400	Bracket, for 6-Spring Top Mount Pivots-each	1

46480 Pivot, Assb. 6-spr Top mnt pvt w/o Tube-Pass



Bom ID	Part#	Description	qty
Ref	46480	Pivot, Assembly. 6-spr Top mnt pvt w/o Tube-Pass	1
1	46370	Pivot Pin, for 5 & 6-Spring Roller Bearing - pass	1
1.1	47010	Bushing, Pivot 1 1/4 Machinery Bushing for Pivot Pin	1
1.2	47000	Snap Ring, 1 1/4" External for Pivot Pin	1
2	18540	Pin, 1/2" x 5-1/4" Clevis	1
3	47800	Bearing, Carrier Underbody Flanged	2
3.1	18628	Nut, Nylock nut 3/8" Jamb Nut	3
3.2	18242	Bolt, 3/8"-16 x 1 1/8" Button Head	3
4	47230	Spring, Spiral Torsion Spring 1 1/4	6
5	46400	Bracket, for 6-Spring Top Mount Pivots-each	1